



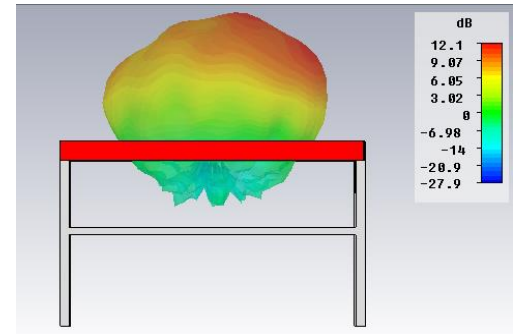
Packman 60

Datasheet

UHF RFID READING TERMINAL STREAMLINED FOR PACKING AND LABELLING

2016

- Tabletop reading unit to check stack of items for type, ownership, quantity, rewash status, wash count
- Capable of managing owned linen, rental (pool and dedicated) and untagged linen
- Designed for quantifying, labeling and item type unity checking
- Automatic detection of operating employee ID
- Sorting software; sort or pair by owner, user, department and type
- External auxiliary antenna to scan items on hangers, racks, not suitable for table top placement
- Fast, simple, accurate and cost effective
- Custom colors available
- On-built computer and thermal printer enables stand-alone use



Technical Data

Dimensions (Length x Width x Height)	128 x 96 x 85 cm
Operating Temperature	-20°C to 55°C
Power Supply Requirements	110-220 V (50-60Hz)
Transponder Frequency	866-868 MHz (EU) 902-928 MHz (USA)
Antenna Gain	12dB
Angular Width (3dB)	85°
Software	Linux, Windows 10 (optional) RFTT Packport
Connections	2x USB 2.0 Ports, 10/100 Mbps Ethernet
Supported Protocol	ISO 18000 – 6C, EPC Class 1 Gen 2

